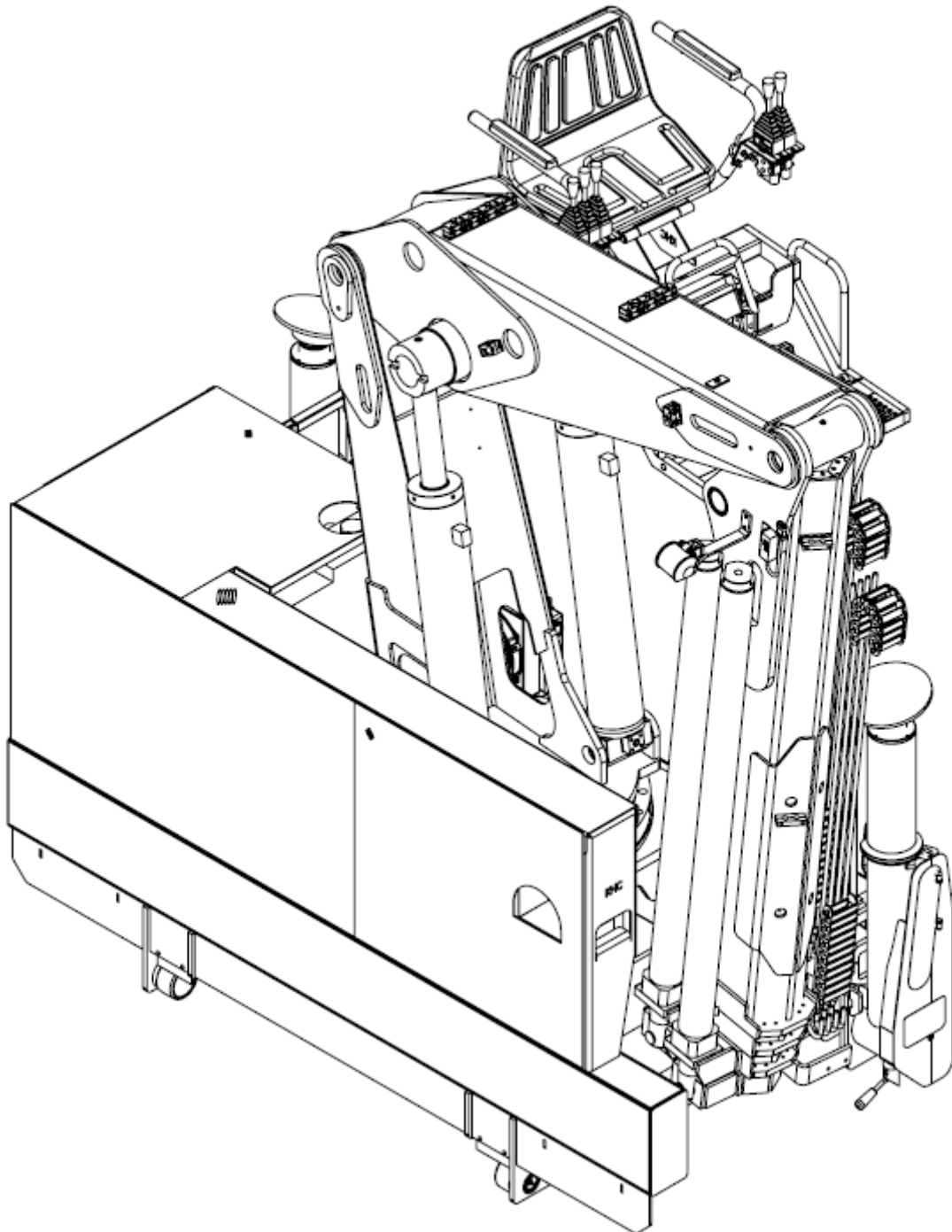




KHC 20R Technische informatie
KHC 20R Technische Data
KHC 20R Information technique
KHC 20R Technical information





KHC 20R Technische informatie
 KHC 20R Technische Data
 KHC 20R Information technique
 KHC 20R Technical information

| .. | KHC 20R-1X | KHC 20R-2X | KHC 20R-3X | KHC 20R-4X | KHC 20R-2XL | KHC 20R-3XL | KHC 20R-4XL |
|---|-------------------------------|------------|------------|------------|-------------|-------------|-------------|
| Kraangroep / Krangruppe / Groupe / Loading Group | H1B3 | | | | | | |
| Capaciteit / Kapazität / Capacité / Capacity | 20,4 tm | 20,3 tm | 20 tm | 19,4 tm | 20 tm | 19,3 tm | 19,0 tm |
| Hydr. bereik / hydr. Bereich / Longueur hydr./ hydraulic reach | 4,7 mtr | 6,2 mtr | 7,3 mtr | 8,6 mtr | 8,1 mtr | 10 mtr | 11,9 mtr |
| Zwenkbereik / Slewing area / Schwenkbereich/ Rotation | Continue | | | | | | |
| Opvouwbaar/ Faltbar / Repliable / Foldable | V | V | V | V | | | |
| Kraanspoor / Kranspur / Carriage / Track (1) | 1.300 mm (1) | | | | | | |
| Flensdikte / Obengurtdicke / Hauteur du rail / Rail thickness | 20 mm / 25 mm | | | | | | |
| Motor / Motor / Moteur / Engine | Hatz 3H50TICD / Hatz 4H50TICD | | | | | | |
| Olietank / Öltank / Reservoir d'huile / Oil tank | 110 ltr | | | | | | |
| Dieseltank / Dieseltank / Reservoir gazoil/ Fuetank | 55 ltr | | | | | | |
| Lengte / Länge / Longueur / Length (2) | 1150 mm | | | | | | |
| Hoogte / Höhe / Hauteur / Heigth (3) | 2335mm | 2435mm | 2435mm | 2535 mm | n.a. | n.a. | n.a. |
| Afstempelbasis / Abstutz breite / Base de stabilisation / Stabilizer spread | 2750 – 4750 | | | | | | |
| Gewicht / Gewicht / Poids / Weigth (4) ± 3% | 3550 kg | 3750 kg | 3950 kg | 4150 kg | 4000 kg | 4200 kg | 4400 kg |

Afmetingen en gewichten onder voorbehoud / Abmessungen und Gewichten vorbehalten / Dimensions et poids sont sujet à changement / Dimensions and weights subject to changes.

1. Ander spoor op aanvraag / Anderes Spur auf Anfrage / Autre carriage sur demande / Other track on request
2. Spoor 2250 – 2420 afwijkend / Spur 2250 -2420 abweichend / Carriage 2250 -2420 different / Track 2250 -2420 deviating
3. Gemeten vanaf laadvloer (opgevouwen) / Gemessen vom Boden (faltend) / Mesuree à partir du plancher (replier) / Measured from the floor (folded)
4. Inclusief steunpoten / einschliesslich Stützbeinen / Stabilisateur inclus / inclusive stabilizers

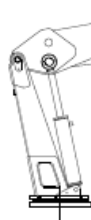
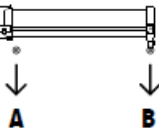


KHC 20R Technische informatie
 KHC 20R Technische Data
 KHC 20R Information technique
 KHC 20R Technical information

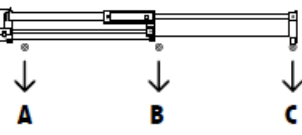
Giek variaties / Arm Varianten / Boom variation / Boom variations



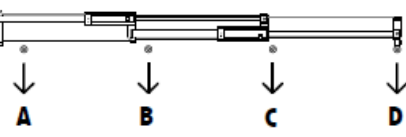
KHC20R - 1x



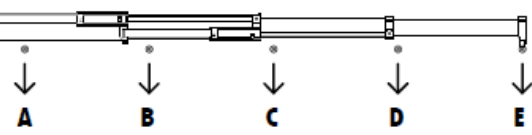
KHC20R - 2x



KHC20R - 3x



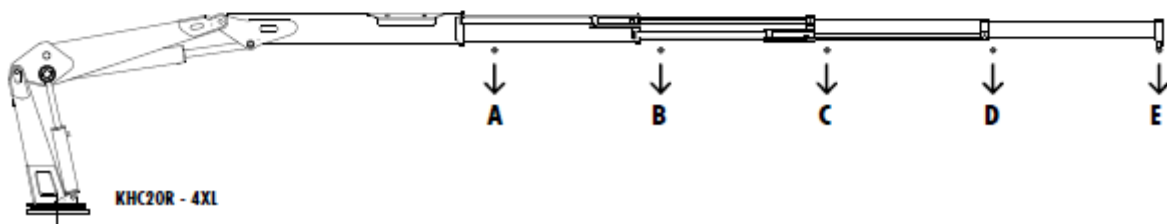
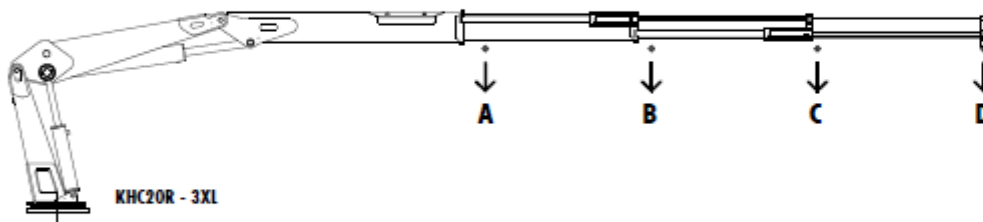
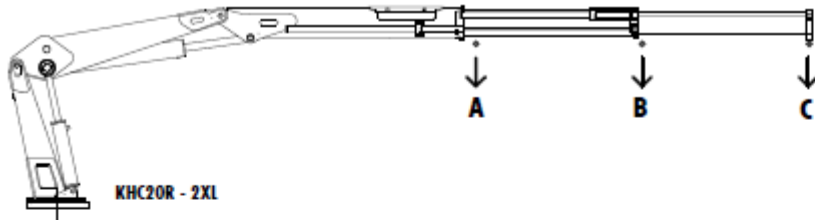
KHC20R - 4x



| Type | A | B | C | D | E |
|-------------------|--------------------|--------------------|--------------------|--------------------|--------------------|
| KHC 20R-1X | 3,3 mtr 6200 kg | 4,7 mtr 4350 kg | | | |
| KHC 20R-2X | 3,4 mtr 6000 kg | 4,8 mtr 4200 kg | 6,2 mtr 3200 kg | | |
| KHC 20R-3X | 3,4 mtr 5900 kg | 4,7 mtr 4200 kg | 6 mtr 3200 kg | 7,3 mtr 2600 kg | |
| KHC 20R-4X | 3,4 mtr 5700 kg | 4,7 mtr 4000 kg | 6 mtr 3025 kg | 7,3 mtr 2470 kg | 8,6 mtr 2100 kg |



KHC 20R Technische informatie
 KHC 20R Technische Data
 KHC 20R Information technique
 KHC 20R Technical information

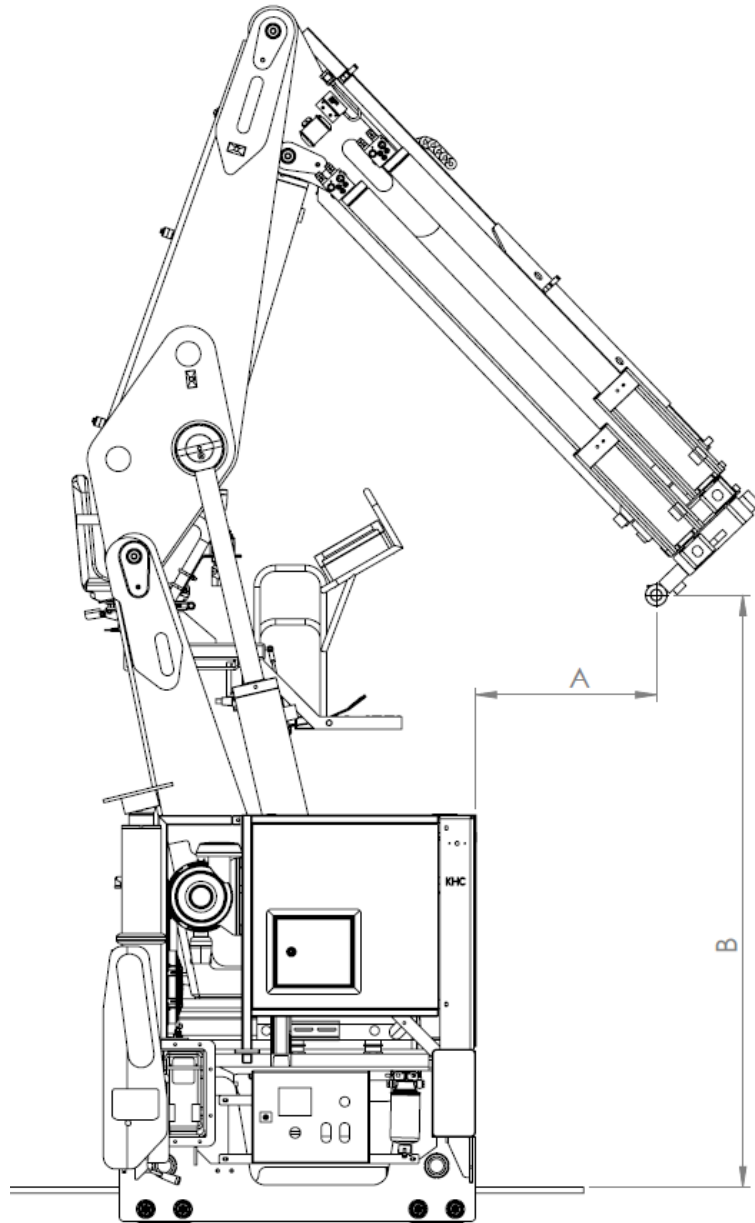


| Type | A | B | C | D | E |
|--------------------|--------------------|--------------------|--------------------|---------------------|---------------------|
| KHC 20R-2XL | 4,6 mtr 4500 kg | 6,3 mtr 3200 kg | 8,1 mtr 2500 kg | | |
| KHC 20R-3XL | 4,7 mtr 4200 kg | 6,4 mtr 3000 kg | 8,2mtr 2300 kg | 10 mtr 1850 kg | |
| KHC 20R-4XL | 4,8 mtr 4040 kg | 6,5 mtr 2770 kg | 8,3 mtr 2050 kg | 10,1 mtr 1650 kg | 11,9 mtr 1320 kg |



KHC 20R Technische informatie
 KHC 20R Technische Data
 KHC 20R Information technique
 KHC 20R Technical information

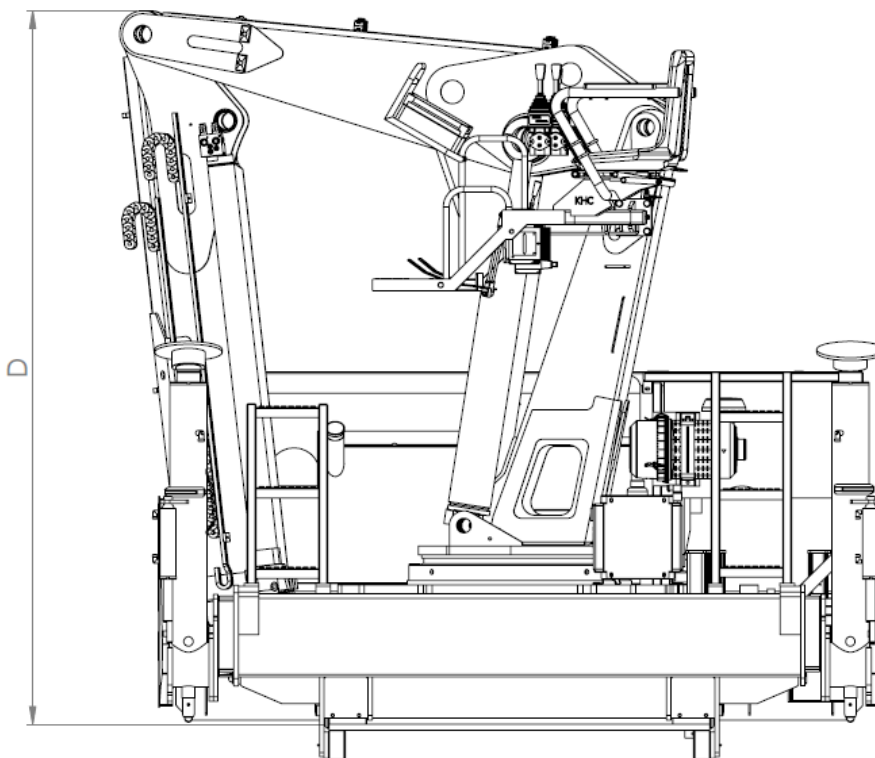
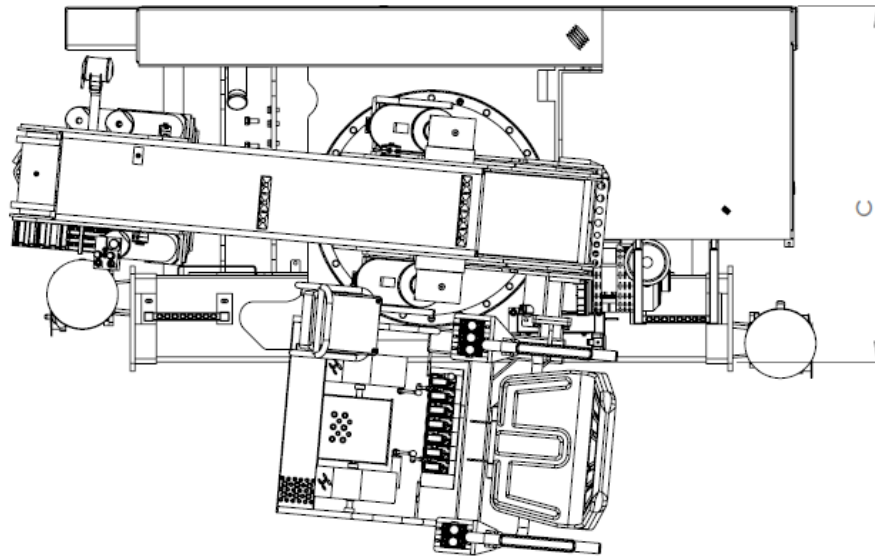
Maten / Abmessungen / Dimensions / Dimensions



| Type | A | B |
|------------|-----|------|
| KHC 20R-1X | 475 | 2370 |
| KHC 20R-2X | 550 | 2325 |
| KHC 20R-3X | 550 | 2330 |
| KHC 20R-4X | 565 | 2320 |



KHC 20R Technische informatie
 KHC 20R Technische Data
 KHC 20R Information technique
 KHC 20R Technical information



| | KHC 20R-1X | KHC 20R-2X | KHC 20R-3X | KHC 20R-4X | KHC 20R-2XL | KHC 20R-3XL | KHC 20R-4XL |
|----------|------------|------------|------------|------------|-------------|-------------|-------------|
| C | 1150 mm | 1150 mm | 1150 mm | 1150 mm | 1150 mm | 1150 mm | 1150 mm |
| D | 2335 mm | 2435 mm | 2435 mm | 2535 mm | n.a. | n.a. | n.a. |